

DH-SD12200T-GN

2MP Starlight PT Network Camera



- 1/2.8" 2Megapixel STARVIS™ CMOS
- Support Triple-streams encoding
- Starlight, WDR
- Max. 25/30fps@1080P
- IVS
- Support PoE
- IP66



System Overview

Featuring powerful optical zoom and accurate pan/tilt performance, the camera provides a wide monitoring range and great detail. The camera delivers 1080P resolution at 25/30fps. The camera is equipped with smooth control, high quality image, and good protection, meeting compact size demands of video surveillance applications.

Functions

Starlight Technology

For challenging low-light applications, Dahua's Starlight Ultra-low Light Technology offers best-in-class light sensitivity, capturing color details in low light down to 0.005 lux. The camera uses a set of optical features to balance light throughout the scene, resulting in clear images in dark environments.

Wide Dynamic Range

The camera achieves vivid images, even in the most intense contrast lighting conditions, using industry-leading wide dynamic range (WDR) technology. For applications with both bright and low lighting conditions that change quickly, True WDR (120 dB) optimizes both the bright and dark areas of a scene at the same time to provide usable video.

Smart H.265+

Smart H.265+ is the optimized implementation of the H.265 codec that uses a scene-adaptive encoding strategy, dynamic GOP, dynamic ROI, flexible multi-frame reference structure and intelligent noise reduction to deliver high-quality video without straining the network. Smart H.265+ technology reduces bit rate and storage requirements by up to 70% when compared to standard H.265 video compression.

Environmental

Dahua cameras operate in extreme temperature environments, rated for use in temperatures from -30 °C to +60 °C (-22 °F to +140 °F) with 95% humidity. Subjected to rigorous dust and water immersion tests and certified to the IP66 Ingress Protection rating makes it suitable for demanding outdoor applications.

Protection

The camera allows for 6KV lightning rating, which provides effective protection for both the camera and its structure against lightning.

Interoperability

The camera conforms to the ONVIF (Open Network Video Interface Forum) specifications, ensuring interoperability between network video products regardless of manufacturer.

Technical Specification

Camera

Image Sensor	1/2.8" STARVIS™ CMOS
Effective Pixels	1920(H) x 1080(V), 2 Megapixels
RAM/ROM	512M/128M
Electronic Shutter Speed	1/1s~1/30,000s
Scanning System	Progressive
Minimum Illumination	Color: 0.005Lux@F1.6; B/W: 0.0005Lux@F1.6
S/N Ratio	More than 50dB
IR Distance	N/A
IR On/Off Control	N/A
IR LEDs	N/A

Lens

Lens Type	Fixed
Focal Length	3.6mm/2.8mm
Max. Aperture	F1.6
Angle of View	3.6mm: H: 80.9°; V: 40.8° 2.8mm: H: 102.9°; V: 54.9°
Optical Zoom	N/A
Focus Control	Fixed

DORI Distance

*Note: The DORI distance is a "general proximity" of distance which makes it easy to pinpoint the right camera for your needs. The DORI distance is calculated based on sensor specification and lab test result according to EN 62676-4 which defines the criteria for Detect, Observe, Recognize and Identify respectively.

Lens	Detect	Observe	Recognize	Identify
3.6mm	54.5m(178.8ft)	21.8m(71.5ft)	10.9m(35.8ft)	5.4m(17.7ft)
2.8mm	41.4m(135.8ft)	16.6m(54.5ft)	8.3m(27.2ft)	4.1m(13.5ft)

PTZ

Pan/Tilt Range	Pan: 0° ~ 355°; Tilt: 20° ~ 90°
Manual Control Speed	Pan: 0.1° ~70° /s; Tilt: 0.1° ~30° /s
Preset Speed	Pan: 80° /s; Tilt: 40° /s
Presets	300
PTZ Mode	8 Tour, Auto Pan
Speed Setup	Human-oriented focal Length/ speed adaptation
Power up Action	Auto restore to previous PTZ and lens status after power failure
Idle Motion	Activate Preset/Tour if there is no command in the specified period
Protocol	DH-SD

Intelligence

Event Trigger	Motion detection, Video tampering, Network disconnection, IP address conflict, Illegal access, Storage anomaly
Auto Tracking	N/A

IVS	Tripwire, Intrusion, Abandoned/Missing
Advanced Intelligent Functions	Face Detection

Video

Compression	H.265+/H.265/H.264+/H.264
Streaming Capability	3 Streams
Resolution	1080P(1920×1080)/720P(1280×720)/D1(704×576/704×480)/CIF(352×288/352×240)
Frame Rate	Main stream: 1080P/720P(1 ~ 25/30fps)
	Sub stream1: D1/CIF(1 ~ 25/30fps)
	Sub stream2: 720P/D1/CIF(1 ~ 25/30fps)
Bit Rate Control	CBR/VBR
Bit Rate	H.265/H.264: 448K ~ 8192Kbps
Day/Night	Auto(ICR) / Color / B/W
Backlight Compensation	BLC / HLC / WDR (120dB)
White Balance	Auto, ATW, Indoor, Outdoor, Manual
Gain Control	Auto / Manual
Noise Reduction	Ultra DNR (2D/3D)
Motion Detection	Support
Region of Interest	Support
Electronic Image Stabilization (EIS)	N/A
Defog	Support
Digital Zoom	16x
Flip	180°
Privacy Masking	Up to 24 areas

Audio

Compression	G.711a/G.711mu/G.726/AAC
-------------	--------------------------

Network

Ethernet	RJ-45 (10XBase-T/100Base-TX)
Protocol	IPv4/IPv6, HTTP, HTTPS, SSL, TCP/IP, UDP, UPnP, ICMP, IGMP, SNMP, RTSP, RTP, SMTP, NTP, DHCP, DNS, PPPOE, DDNS, FTP, IP Filter, QoS, Bonjour, 802.1x
Interoperability	ONVIF Profile S&G, API
Streaming Method	Unicast / Multicast
Max. User Access	20 users
Edge Storage	NAS (Network Attached Storage), Local PC for instant recording, Micro SD card 256GB
Web Viewer	IE, Chrome, Firefox, Safari
Management Software	Smart PSS, DSS, DMSS
Smart Phone	IOS, Android

Certifications

Certifications	CE: EN55032/EN55024/EN50130-4 FCC: Part15 subpartB, ANSI C63.4- 2014 UL: UL60950-1+CAN/CSA C22.2, No.60950-1
----------------	--

Interface

Video Interface	N/A
RS485	N/A
Audio I/O	Mic in/Line in, Line out
Alarm I/O	N/A

Electrical

Power Supply	DC 12V/1.5A, PoE(802.3af)
Power Consumption	6W

Environmental

Operating Conditions	-30°C ~ 60°C (-22°F ~ +140°F) / Less than 95% RH
Ingress Protection	IP66
Vandal Resistance	IK08

Construction

Casing	Metal
Dimensions	Φ128 (mm) x 63 (mm)
Net Weight	0.485kg(1.07lb)
Gross Weight	0.7kg(1.54lb)

Ordering Information

Type	Part Number	Description
2MP PT Camera	DH-SD12200T-GN	2MP Starlight PT Network Camera, WDR, PAL
	DH-SD12200TN-GN	2MP Starlight PT Network Camera, WDR, NTSC
	SD12200T-GN	2MP Starlight PT Network Camera, WDR, PAL
	SD12200TN-GN	2MP Starlight PT Network Camera, WDR, NTSC
Accessories	PFA107	Mount Adapter
	PFB305W	Wall Mount
	PFB220C	Ceiling Mount
	DC12V/2A	Power Adapter

Accessories

Optional:



PFA107
Mount Adapter



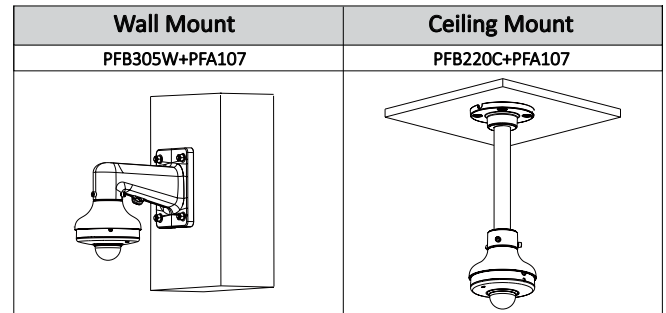
PFB305W
Wall Mount



PFB220C
Ceiling Mount



DC12V/2A
Power Adapter



Dimensions (mm)

